

KEY TO WINDOW LOCATIONS

The Clerestory Windows

1 through 10

portraying a continuing representation of the life of Christ

1. The Nativity
2. The Boy Christ
3. The Call of the Fishermen
4. The Invitation, "Come Unto Me"
5. Christ, the Friend of Children
6. Christ, the Great Physician
7. Christ, the Good Shepherd
8. "Lord, Teach Us to Pray"
9. The Resurrection
10. The Ascension

The Upper West Transept Windows

11 and 12 (The "Vale Transept")

11. Pentecost
12. St. Paul

The Upper East Transept Windows

13 through 15 and 401

13. The Crucifixion
14. The Old Testament Prophets
15. David, The Psalmist
401. The Transfiguration

The Aisle Windows

101 through 112

portraying the symbols of the Twelve Apostles

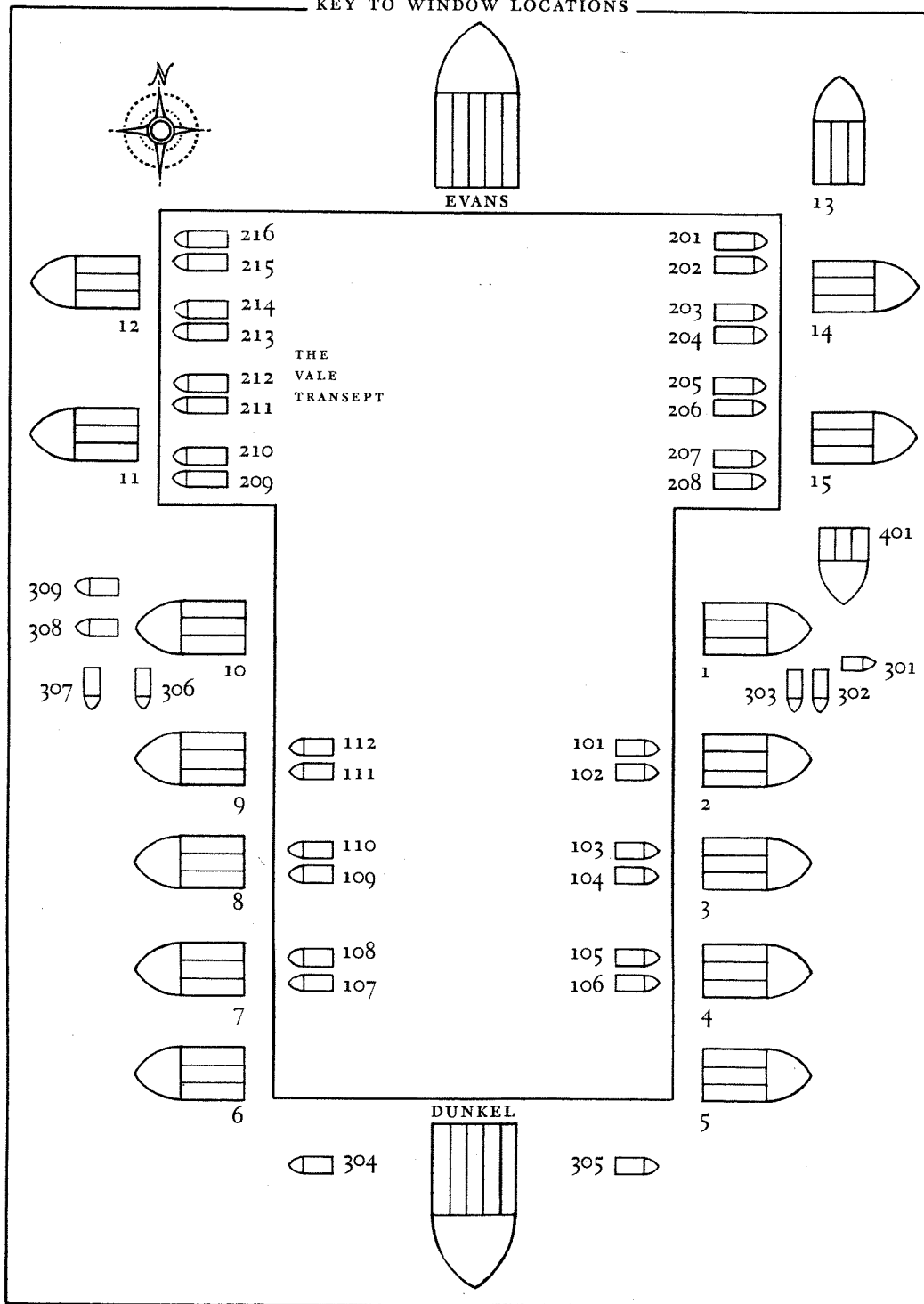
101. St. Bartholomew
102. St. Philip
103. St. Thaddaeus (Jude)
104. St. Simon
105. St. James the Great
106. St. Matthias
107. St. Thomas
108. St. John
109. St. Matthew
110. St. Andrew
111. St. James the Less
112. St. Peter

The Chancel (Evans) Window

centering in Christ the Lord of Glory

The South Balcony (Dunkel) Window

portraying our Lord giving the Great Commission



The Lower East Transept Windows

201 through 208

portraying men and women from the Old Testament

201. Abraham
202. Moses
203. Joshua
204. Ruth
205. Job
206. Samuel
207. Daniel
208. Esther

The Lower West Transept Windows

209 through 216 (The "Vale Transept")

portraying parables of our Lord and the two Great Commandments

209. The Sower
210. The Pearl of Great Price
211. The Lost Sheep
212. The Good Samaritan
213. The Lost Coin
214. The Pharisee and The Publican
215. The First Great Commandment
216. The Second Great Commandment

The East Stairway Windows

301 through 303

portraying the emblems of Faith, Hope and Love

301. Love
302. Hope
303. Faith

The South Stairway Windows

304 and 305

portraying one woman from the New and one woman from the Old Testament

304. Dorcas
305. Miriam

The Tower Windows

306 through 309

symbolizing the four Evangelists

306. St. Matthew
307. St. Mark
308. St. Luke
309. St. John